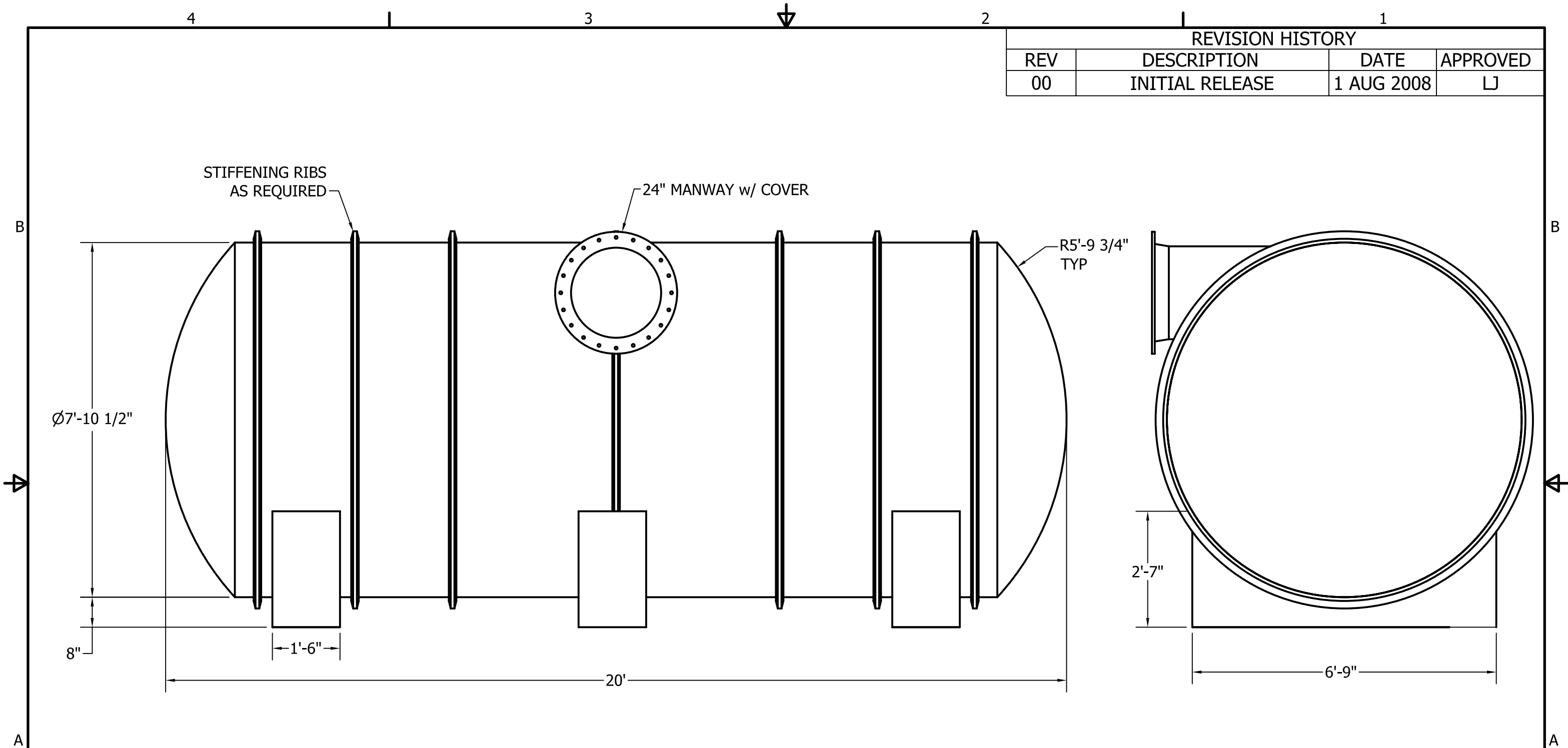



REVISION HISTORY			
REV	DESCRIPTION	DATE	APPROVED
00	INITIAL RELEASE	1 AUG 2008	LJ



VOLUME = 25571 LITERS

CUSTOMER: -		DRAWING TITLE: HORIZONTAL SADDLE TANK HL-8-20		DESIGNED BY: LEE JOHNSON	DATE: 1 AUG 08
P.O.#: -		SCALE: 1:25		DRAWN BY: OST	
 DURA-TECH INDUSTRIAL & MARINE LIMITED P.O. Box 28036 Tacoma R.P.O. Dartmouth, Nova Scotia B2W 6E2 Telephone (902) 462-8265 Fax (902) 462-8235		DATE:	REVISIONS:	REVIEWED BY: Fred Kennedy	APPROVED BY: Lee Johnson
		PROJECT NO.:	DWG NO.:	SHEET NO.: 1 OF 1	HL-8-20