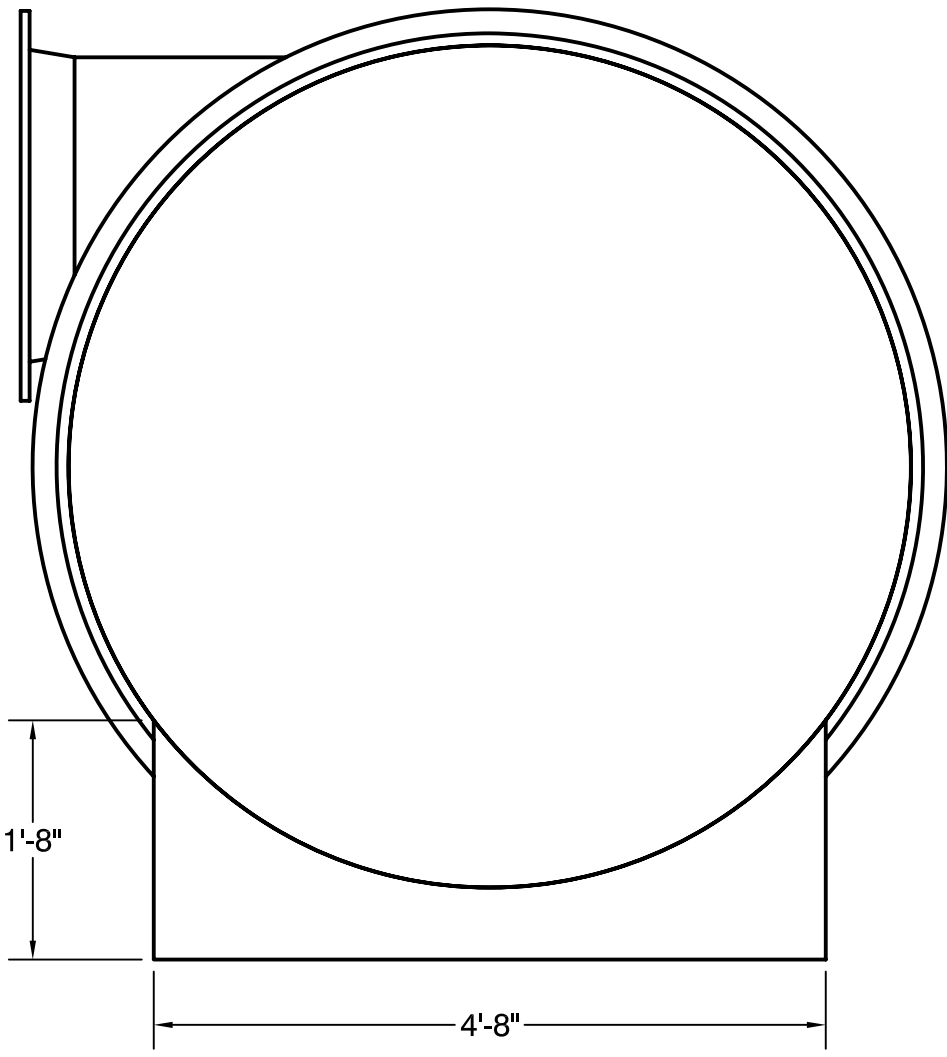
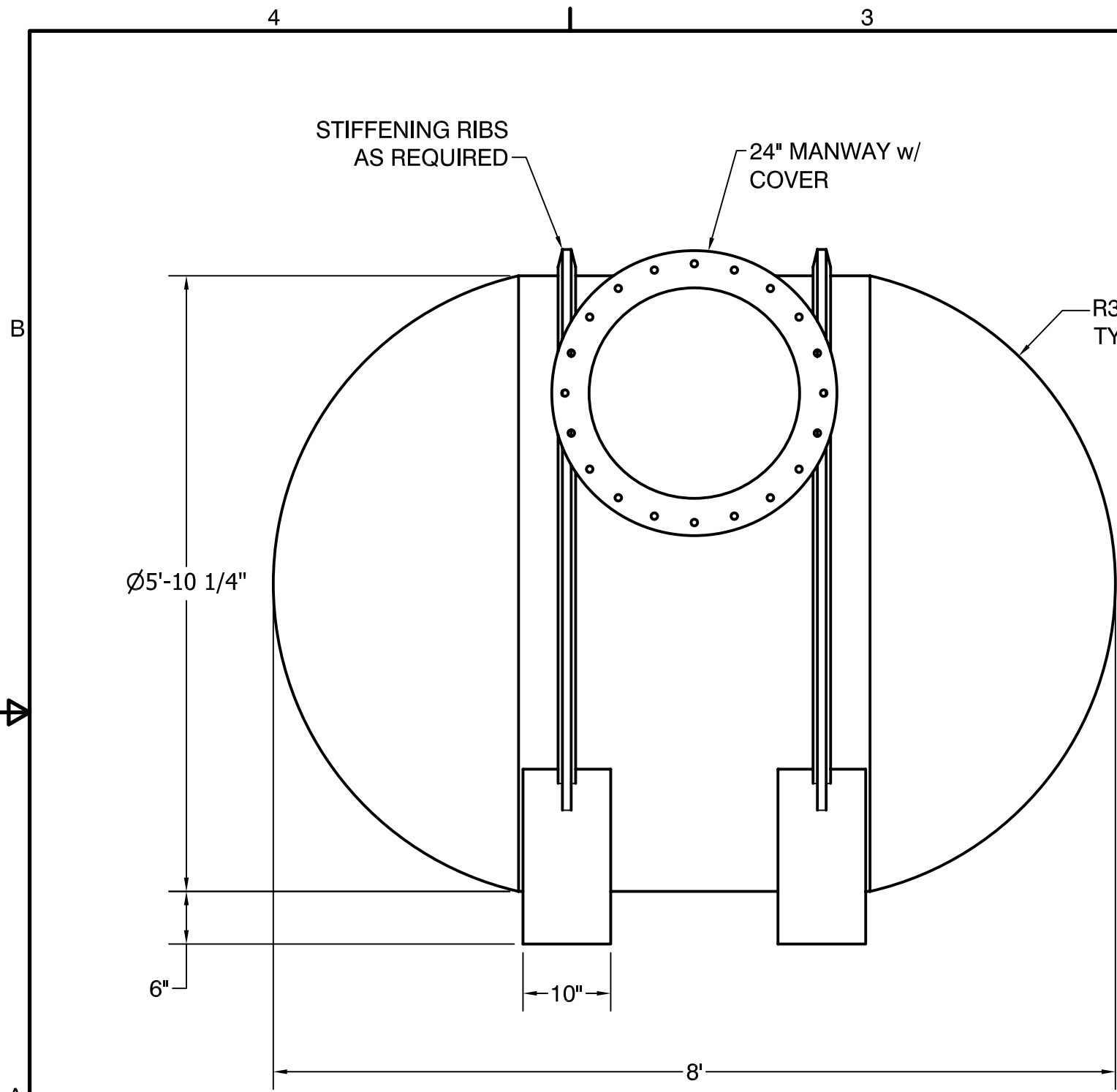



REVISION HISTORY			
REV	DESCRIPTION	DATE	APPROVED
00	INITIAL RELEASE	1 AUG 2008	LJ



VOLUME = 4691 LITERS

CUSTOMER: -

P.O.#; -

 DURA-TECH DURA-TECH INDUSTRIAL & MARINE LIMITED P.O. Box 28036 Tacoma R.P.O. Dartmouth, Nova Scotia B2W 6E2 Telephone (902) 462-8265 Fax (902) 462-8235	DRAWING TITLE: HORIZONTAL SADDLE TANK - HL 6-8	DESIGNED BY: LEE JOHNSON	DATE: 1 AUG 08	
	SCALE: 1:16	DRAWN BY: OST	REVIEWED BY: Fred Kennedy	
	DATE:	REVISIONS:	APPROVED BY: Lee Johnson	PROJECT NO.:
	SHEET NO.: 1 OF 1	DWG NO.:	HL 6-8	