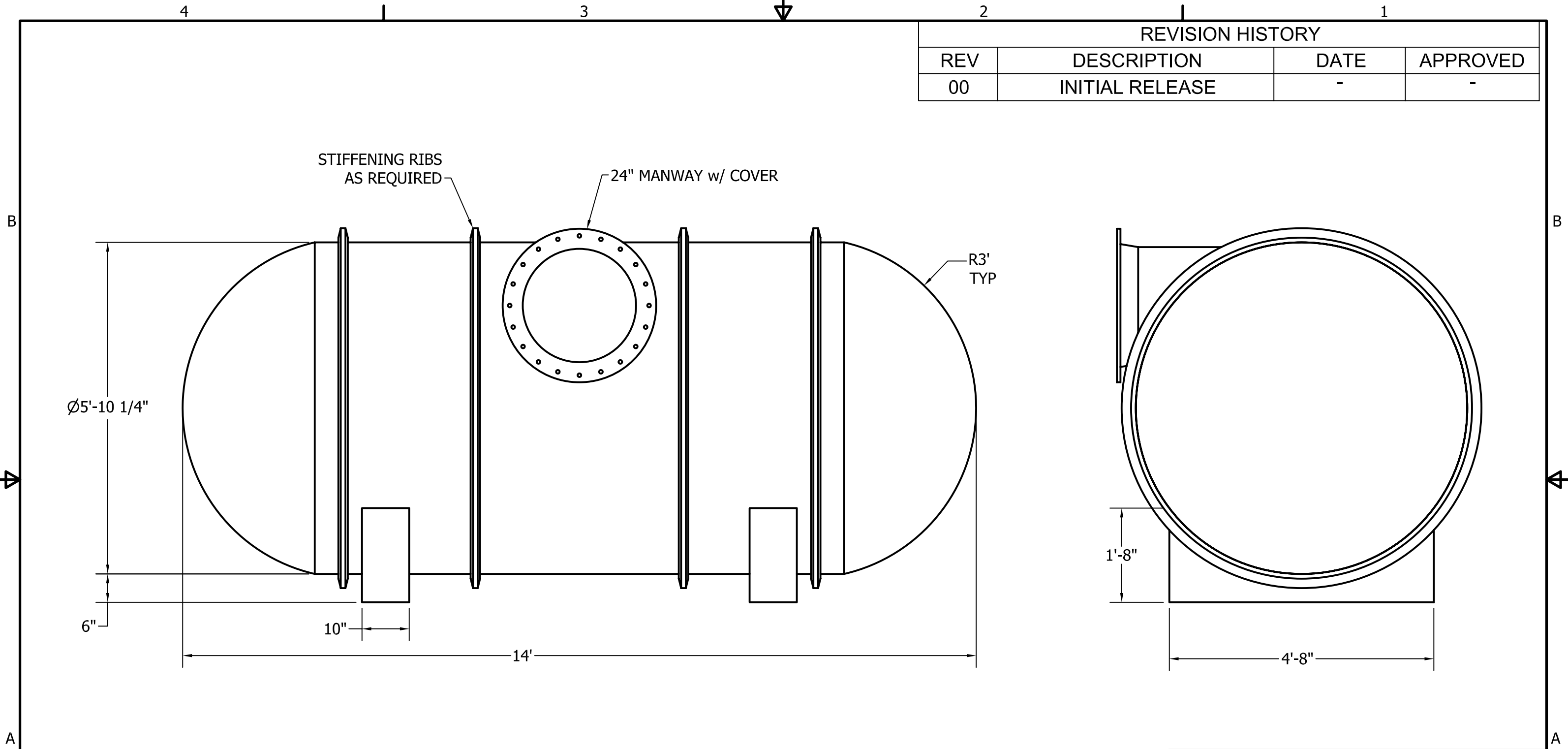



REVISION HISTORY			
REV	DESCRIPTION	DATE	APPROVED
00	INITIAL RELEASE	-	-



VOLUME = 9256 LITERS

CUSTOMER: -		DRAWING TITLE: HORIZONTAL SADDLE TANK - HL 6-14		DESIGNED BY: LEE JOHNSON	DATE: 1 AUG 08
P.O.#: -		SCALE: 1:20		DRAWN BY: OST	REVIEWED BY: Fred Kennedy
 DURA-TECH INDUSTRIAL & MARINE LIMITED P.O. Box 28036 Tacoma R.P.O. Dartmouth, Nova Scotia B2W 6E2 Telephone (902) 462-8265 Fax (902) 462-8235		DATE:	REVISIONS:	APPROVED BY: Lee Johnson	PROJECT NO.:
		SHEET NO.: 1 OF 1		DWG NO.: HL 6-14	