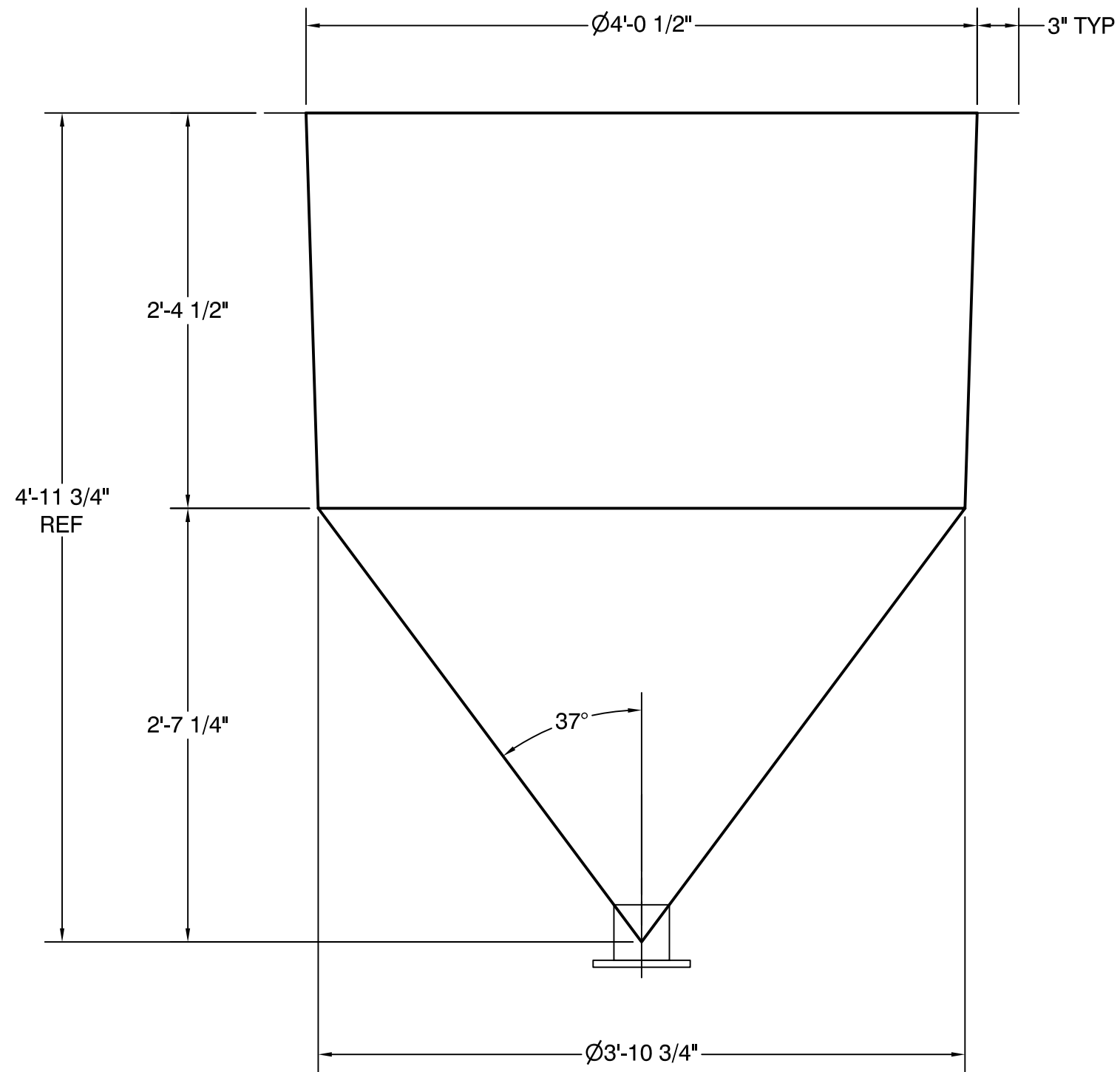



REVISION HISTORY			
REV	DESCRIPTION	DATE	APPROVED
00	INITIAL RELEASE	1 AUG 2008	LJ



VOLUME = 1136 LITERS

CUSTOMER: -		DRAWING TITLE:		DESIGNED BY:		DATE:	
P.O.#: -		CONICAL BOTTOM TANK CB-4A-5		LEE JOHNSON		1 AUG 08	
 DURA-TECH INDUSTRIAL & MARINE LIMITED P.O. Box 28036 Tacoma R.P.O. Dartmouth, Nova Scotia B2W 6E2 Telephone (902) 462-8265 Fax (902) 462-8235		SCALE: 1 : 1 0		DRAWN BY:		REVIEWED BY:	
		DATE:		REVISIONS:		Fred Kennedy	
				Lee Johnson		PROJECT NO.:	
						DWG NO.:	
						SHEET NO.:	
						1 OF 1	
						CB-4A-5	