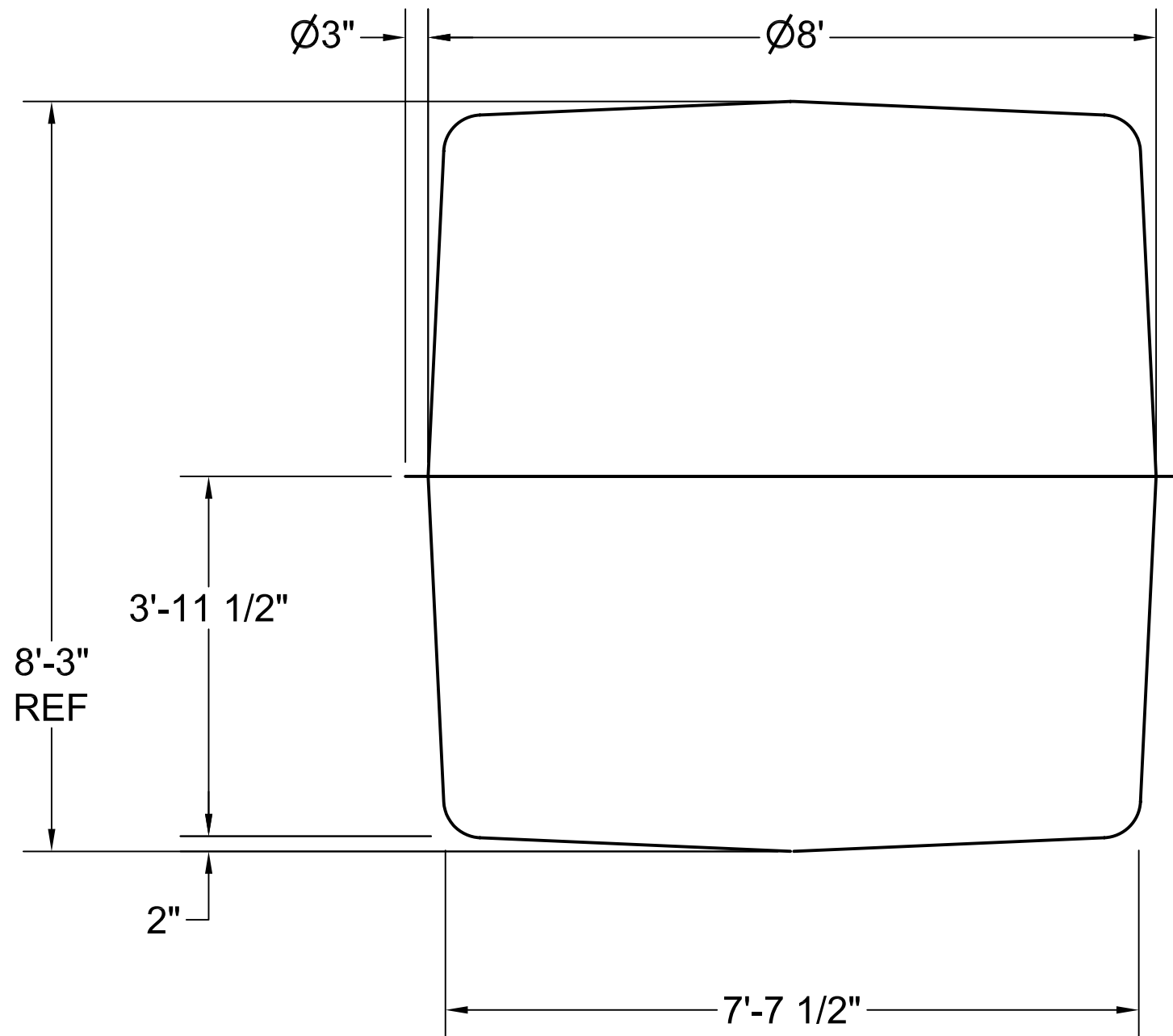
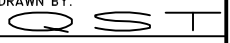



REVISION HISTORY			
REV	DESCRIPTION	DATE	APPROVED
00	INITIAL RELEASE	-	-



VOLUME = 10868 LITERS

CUSTOMER: -		DRAWING TITLE: BULK TANK BT8-8		DESIGNED BY: LEE JOHNSON	DATE: 1 AUG 08
P.O.#: -		SCALE: 1:20		DRAWN BY: 	
 DURA-TECH INDUSTRIAL & MARINE LIMITED P.O. Box 28036 Tacoma R.P.O. Dartmouth, Nova Scotia B2W 6E2 Telephone (902) 462-8265 Fax (902) 462-8235		REVISIONS: 8		REVIEWED BY: Fred Kennedy	
		DATE:		APPROVED BY: Lee Johnson	
		PROJECT NO.:		DWG NO.: BT8-8	
		SHEET NO.: 1 OF 1			