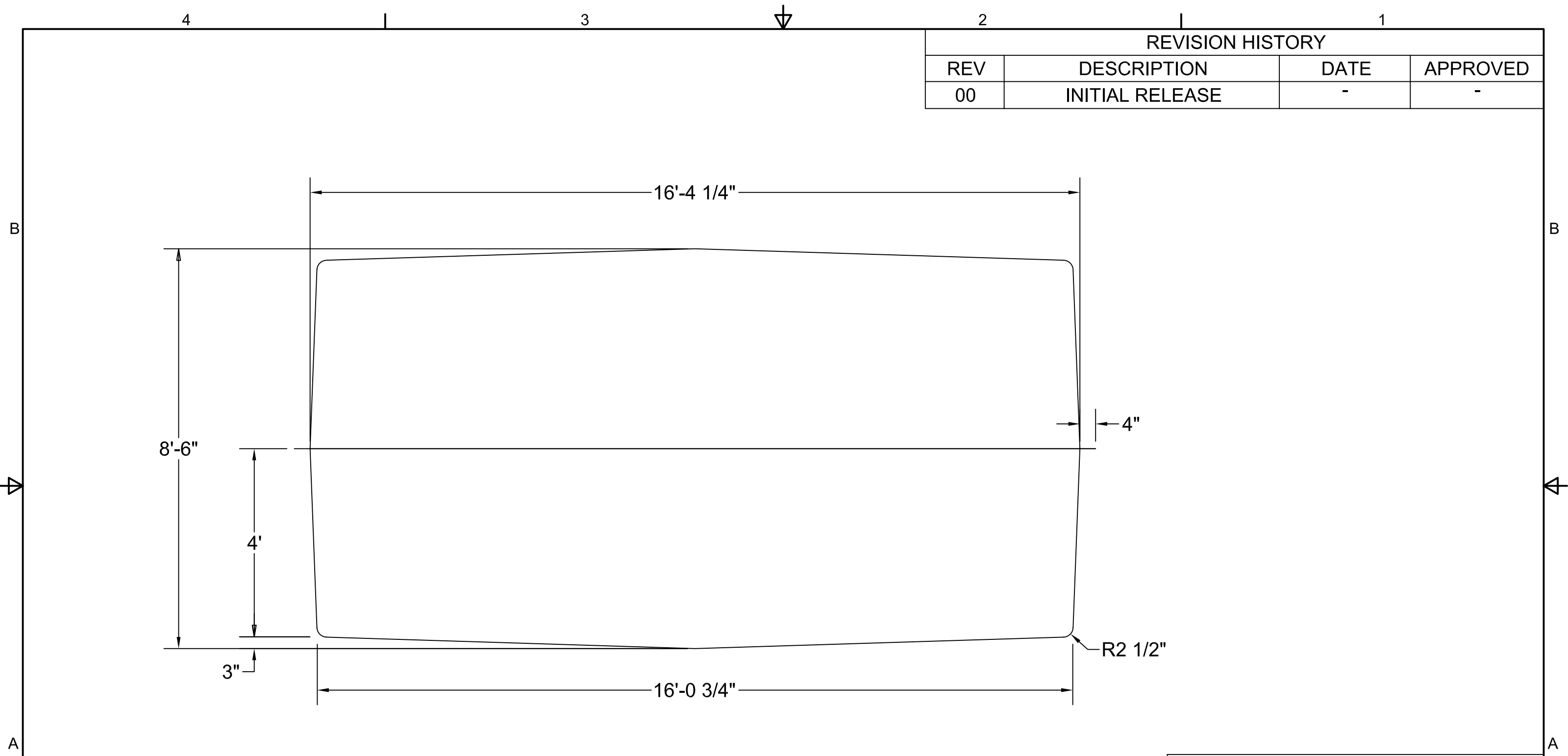



REVISION HISTORY			
REV	DESCRIPTION	DATE	APPROVED
00	INITIAL RELEASE	-	-



VOLUME = 47630 LITERS

CUSTOMER: -			
P.O.#; -			
 DURA-TECH INDUSTRIAL & MARINE LIMITED P.O. Box 28036 Tacoma R.P.O. Dartmouth, Nova Scotia B2W 6E2 Telephone (902) 462-8265 Fax (902) 462-8235	DRAWING TITLE: <b>BULK TANK BT16-8</b>	DESIGNED BY: <b>LEE JOHNSON</b>	DATE: <b>1 AUG 08</b>
	SCALE: <b>1:24</b>	DRAWN BY: <b>OST</b>	REVIEWED BY: <b>Fred Kennedy</b>
	DATE:	REVISIONS:	APPROVED BY: <b>Lee Johnson</b>
	PROJECT NO.:	DWG NO.: <b>BT16-8</b>	
SHEET NO.: <b>1 OF 1</b>			