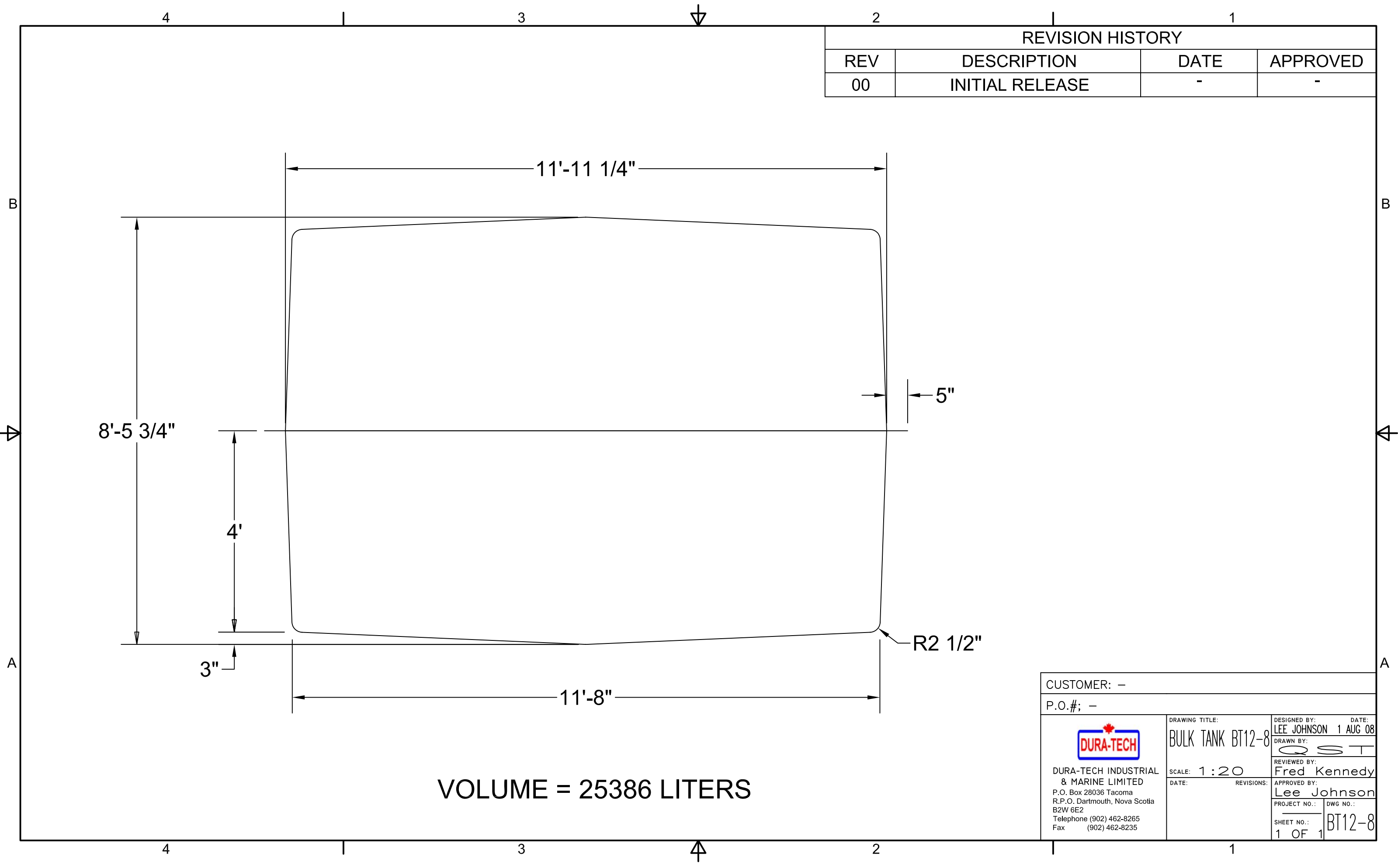



REVISION HISTORY			
REV	DESCRIPTION	DATE	APPROVED
00	INITIAL RELEASE	-	-



VOLUME = 25386 LITERS

CUSTOMER: -				
P.O.#; -				
 DURA-TECH INDUSTRIAL & MARINE LIMITED P.O. Box 28036 Tacoma R.P.O. Dartmouth, Nova Scotia B2W 6E2 Telephone (902) 462-8265 Fax (902) 462-8235	DRAWING TITLE: BULK TANK BT12-8	DESIGNED BY: LEE JOHNSON	DATE: 1 AUG 08	
	SCALE: 1:20	DRAWN BY: OST	REVIEWED BY: Fred Kennedy	
	DATE:	REVISIONS:	APPROVED BY: Lee Johnson	PROJECT NO.:
	SHEET NO.: 1 OF 1	DWG NO.: BT12-8		