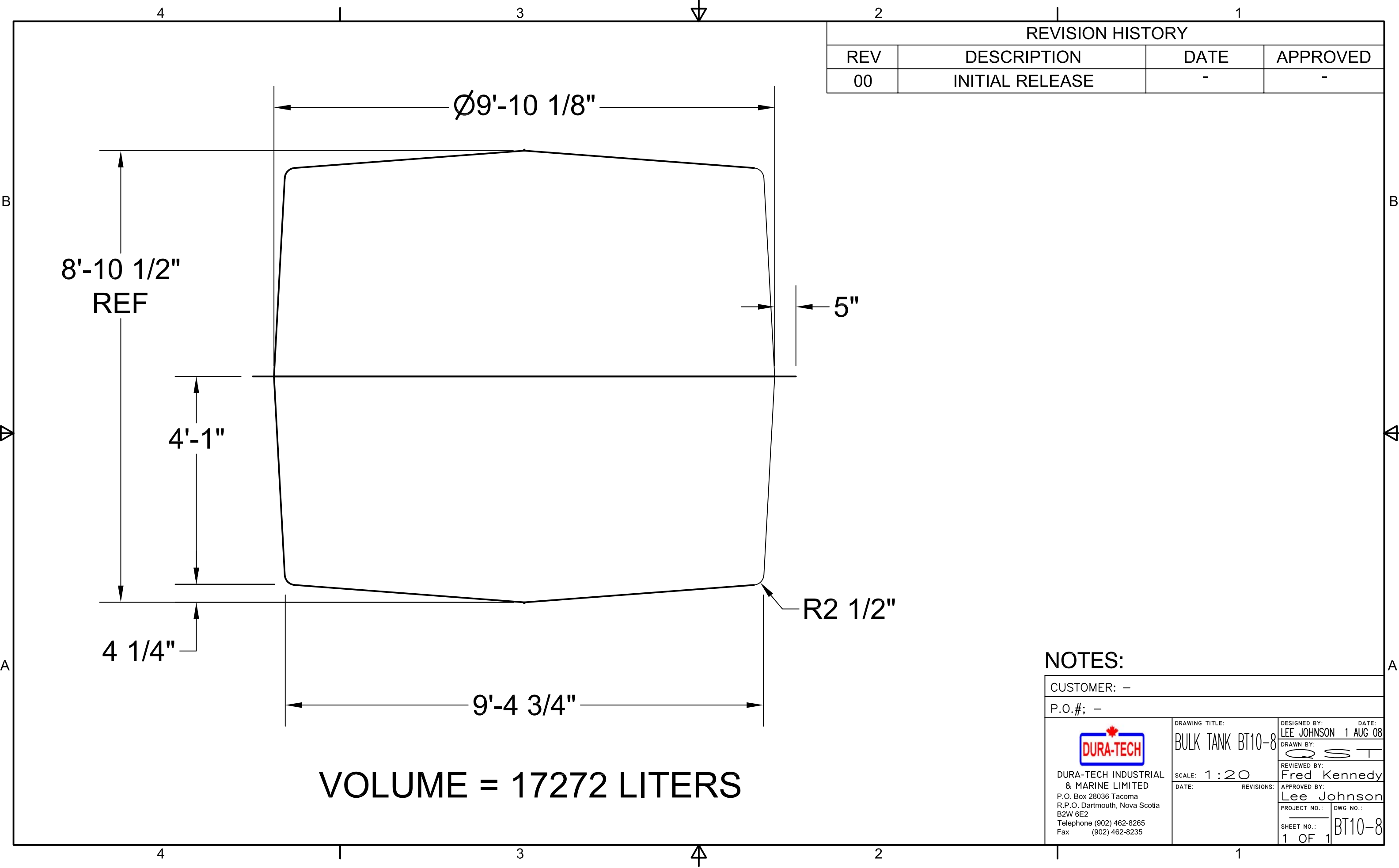



REVISION HISTORY			
REV	DESCRIPTION	DATE	APPROVED
00	INITIAL RELEASE	-	-



**NOTES:**

CUSTOMER: -	
P.O.#; -	
 DURA-TECH INDUSTRIAL & MARINE LIMITED P.O. Box 28036 Tacoma R.P.O. Dartmouth, Nova Scotia B2W 6E2 Telephone (902) 462-8265 Fax (902) 462-8235	DRAWING TITLE: <b>BULK TANK BT10-8</b>
	DESIGNED BY: <b>LEE JOHNSON</b>
	DRAWN BY: <b>OST</b>
	REVIEWED BY: <b>Fred Kennedy</b>
SCALE: <b>1:20</b>	APPROVED BY: <b>Lee Johnson</b>
DATE:	REVISIONS:
PROJECT NO.:	DWG NO.: <b>BT10-8</b>
SHEET NO.: <b>1 OF 1</b>	