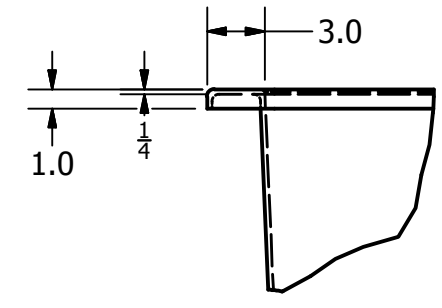
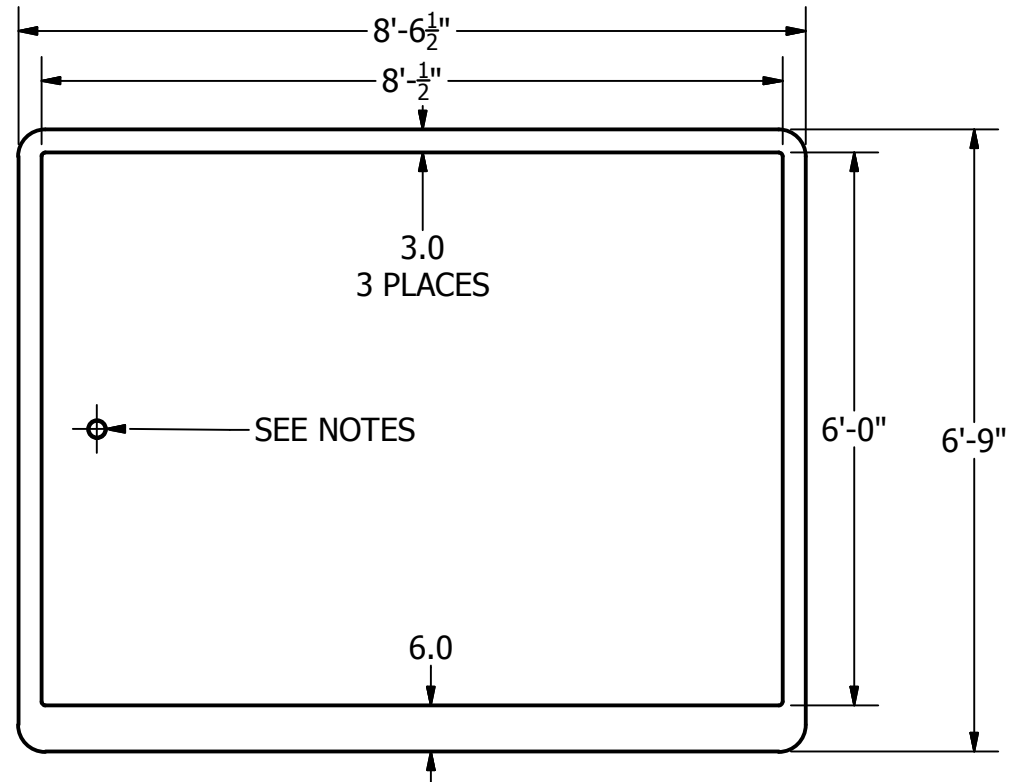
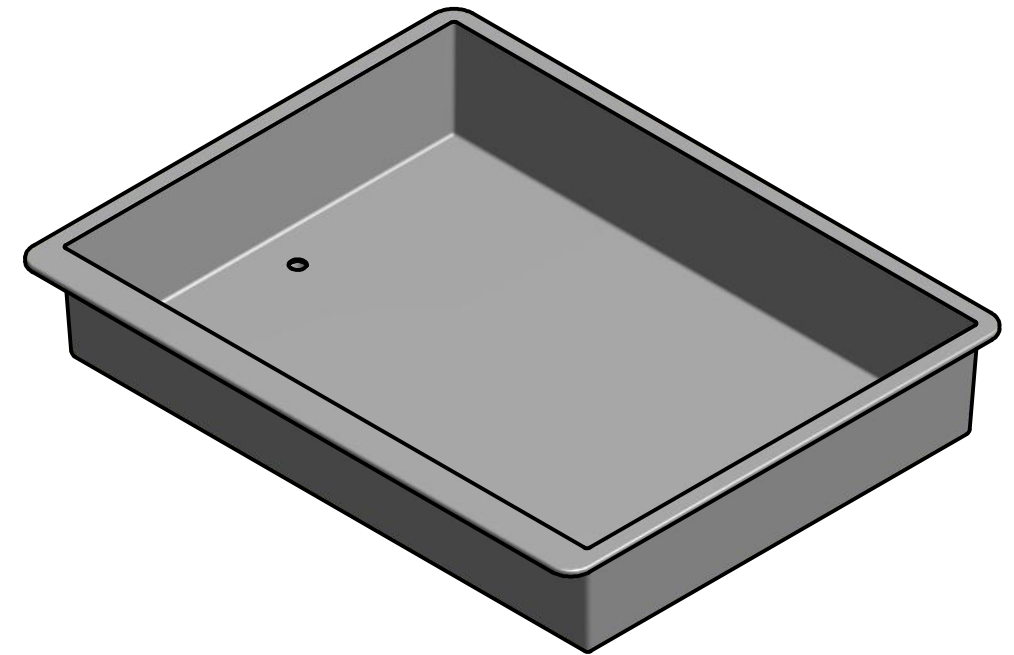


REVISION HISTORY			
REV	DESCRIPTION	DATE	APPROVED
00	PRELIMINARY ISSUE	12/15/2011	J.M

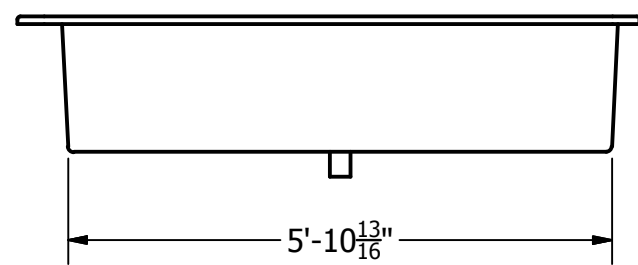
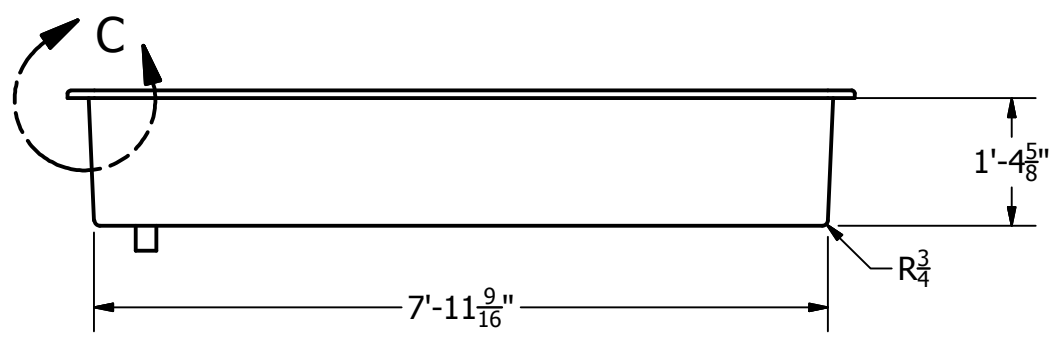



DETAIL C
SCALE 1:10



NOTES

- 1) MANUFACTURED USING HIGH GRADE RESIN, COMBINED WITH CHOPPED STRAND AND WOVEN GLASS.
- 2) AVAILABLE WITH ISOPHTHALIC PROTECTIVE GELCOATS.
- 3) CAPACITY: 1925 (L), 508 (US GAL), 423 (IMP GAL)
- 4) TYPE OF FITTING, SIZE AND LOCATION IF ANY, TO BE DETERMINED BY CUSTOMER.



PO #:		DRAWING TITLE:		DESIGNED BY:	
CUSTOMER:		LT400-8		DRAWN BY: J.M	
 DURA-TECH INDUSTRIAL & MARINE LIMITED 206 Ross Road Dartmouth, Nova Scotia B2Z 1B4 Telephone (902) 462-8265 Fax (902) 462-8235		SCALE: 1/25		REVIEWED BY:	
		DATE: 12/2/2011		REVISIONS: ○ ○	
DWG NO.: LT400-8		PROJECT NO.:		SHEET NO.: 1 OF 1	