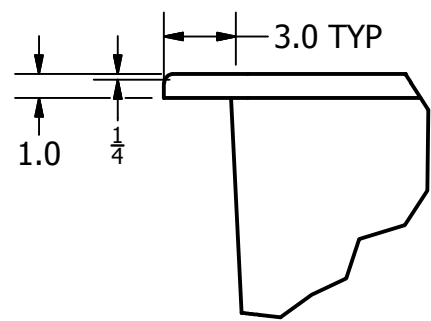
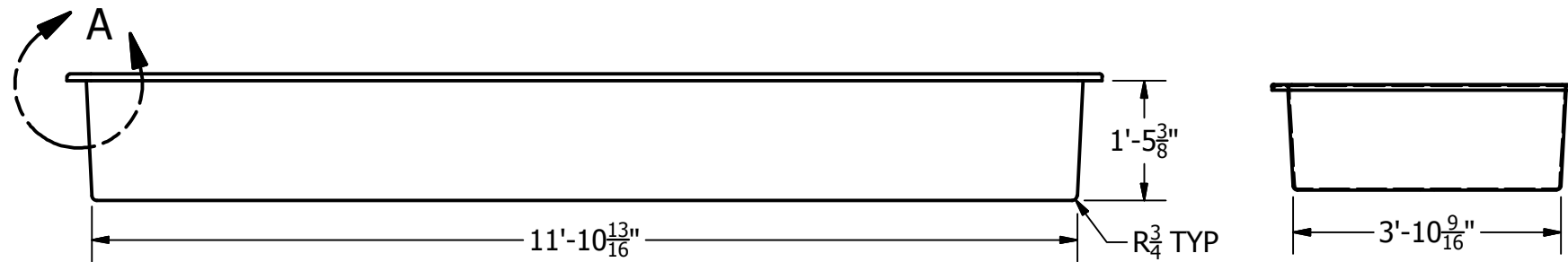
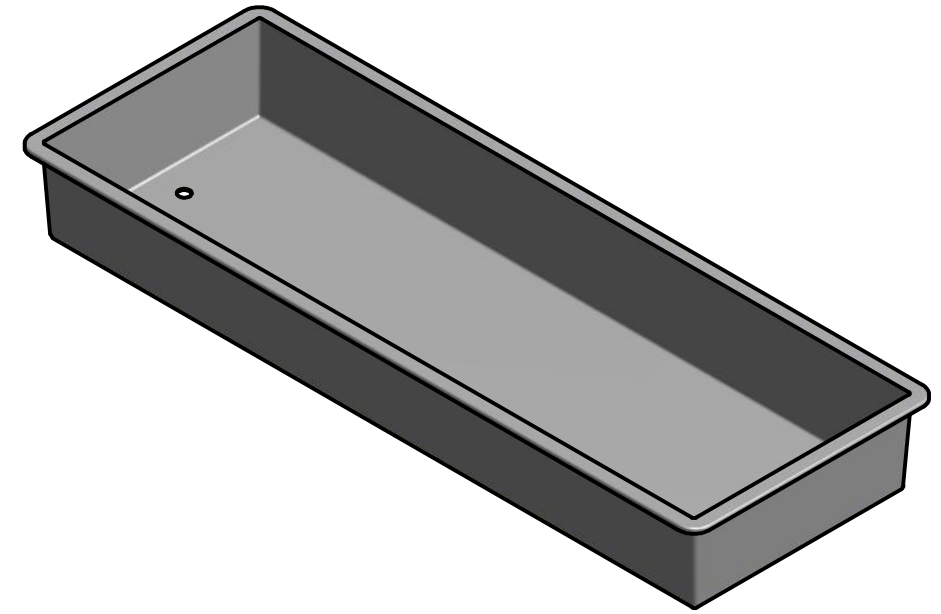
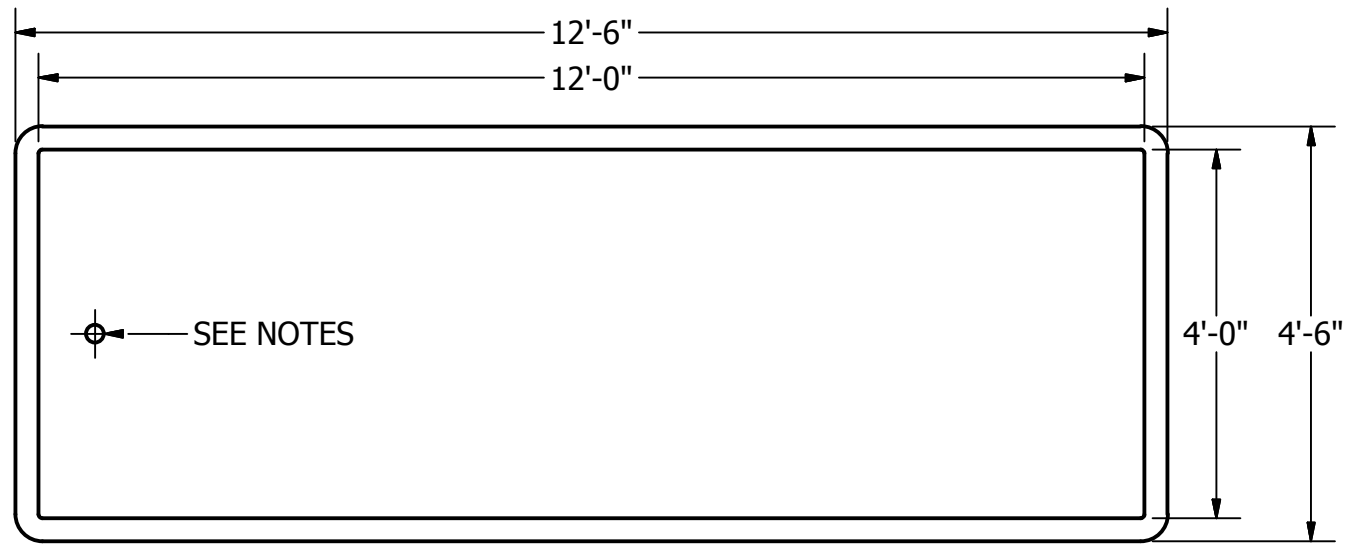



REVISION HISTORY			
REV	DESCRIPTION	DATE	APPROVED
00	PRELIMINARY ISSUE	12/07/2011	J.M



OVERHANGING LIP
DETAIL A
SCALE 1:8

NOTES

- 1) MANUFACTURED USING HIGH GRADE RESIN, COMBINED WITH CHOPPED STRAND AND WOVEN GLASS.
- 2) AVAILABLE WITH ISOPHTHALIC PROTECTIVE GELCOATS.
- 3) CAPACITY: 1984 (L), 524 (US GAL), 436 (IMP GAL)
- 4) TYPE OF FITTING, SIZE AND LOCATION IF ANY, TO BE DETERMINED BY CUSTOMER.

PO #:			
CUSTOMER:			
 DURA-TECH INDUSTRIAL & MARINE LIMITED 206 Ross Road Dartmouth, Nova Scotia B2Z 1B4 Telephone (902) 462-8265 Fax (902) 462-8235	DRAWING TITLE:	DESIGNED BY:	
	SCALE: 1/25	DRAWN BY: J.M	
	DATE: 11/30/2011	REVISIONS:	REVIEWED BY:
	DWG NO.: LT400-12		APPROVED BY:
		SHEET NO.: 1 OF 1	