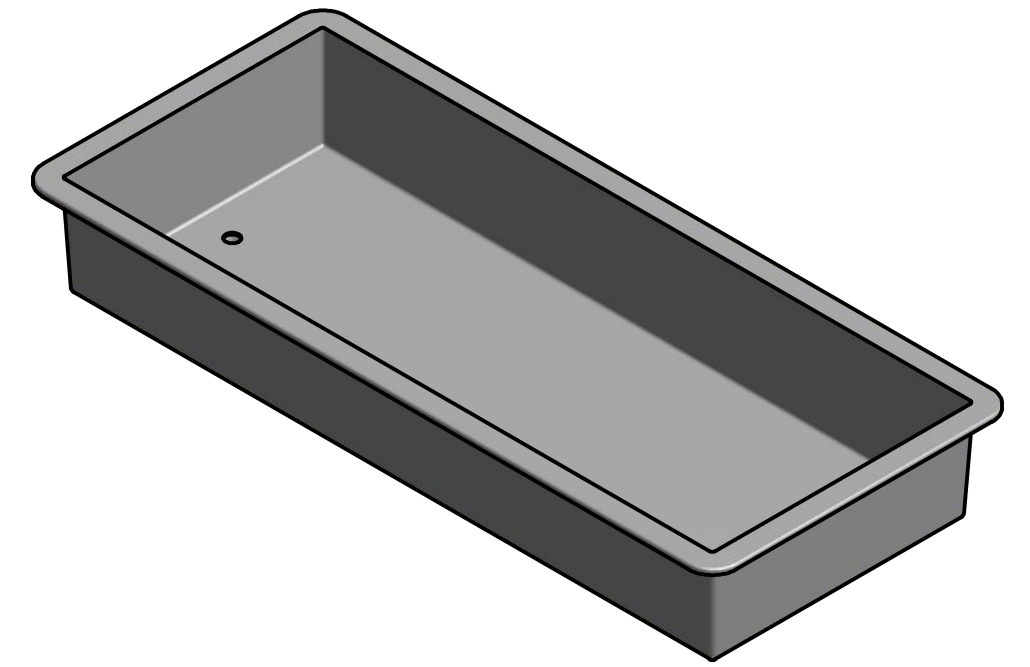



REVISION HISTORY			
REV	DESCRIPTION	DATE	APPROVED
00	PRELIMINARY ISSUE	12/15/2011	J.M



- NOTES**
- 1) MANUFACTURED USING HIGH GRADE RESIN, COMBINED WITH CHOPPED STRAND AND WOVEN GLASS.
  - 2) AVAILABLE WITH ISOPHTHALIC PROTECTIVE GELCOATS.
  - 3) CAPACITY: 1652 (L), 436 (US GAL), 363 (IMP GAL)
  - 4) TYPE OF FITTING, SIZE AND LOCATION IF ANY, TO BE DETERMINED BY CUSTOMER.

PO #:		DRAWING TITLE:		DESIGNED BY:	
CUSTOMER:		LT330-10		DRAWN BY: J.M	
 <b>DURA-TECH INDUSTRIAL &amp; MARINE LIMITED</b> 206 Ross Road Dartmouth, Nova Scotia B2Z 1B4 Telephone (902) 462-8265 Fax (902) 462-8235		SCALE: 1/25		REVIEWED BY:	
		DATE: 12/8/2011		APPROVED BY:	
DWG NO.: LT330-10		REVISIONS: ○ ○		PROJECT NO.:	
				SHEET NO.: 1 OF 1	