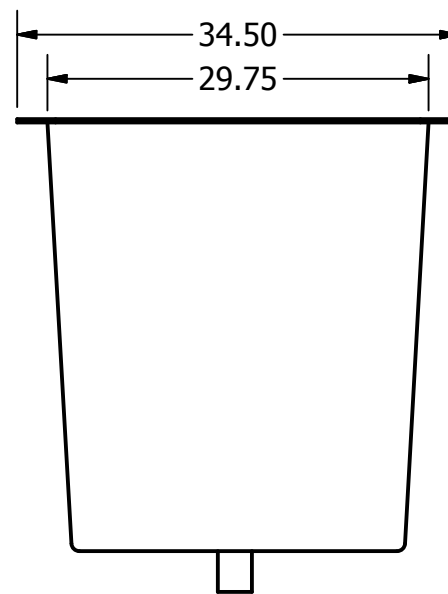
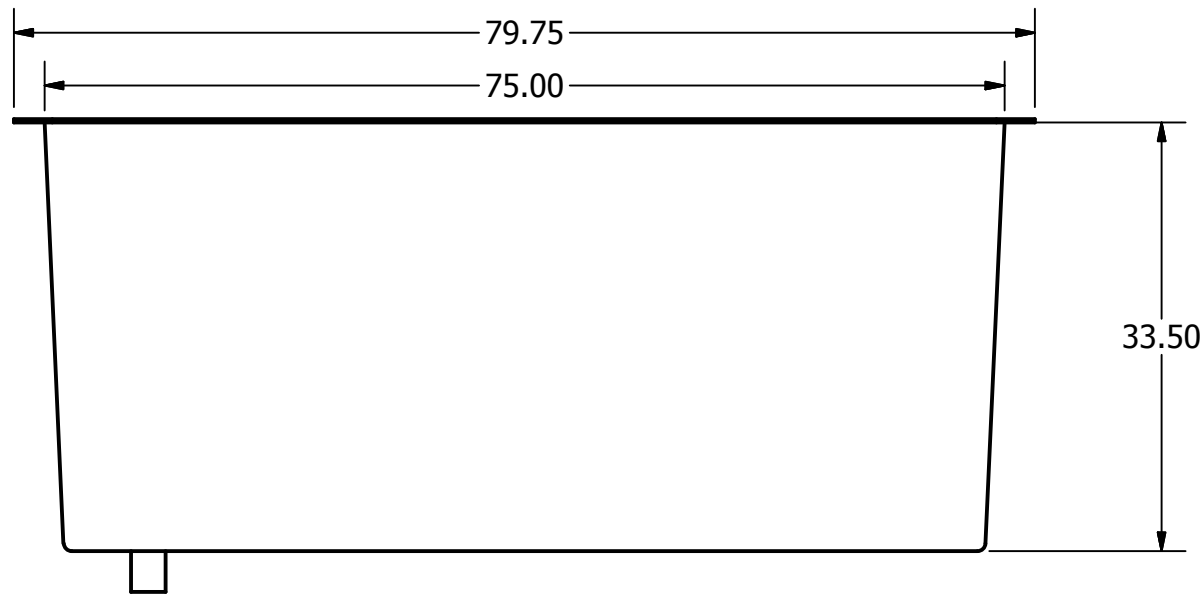
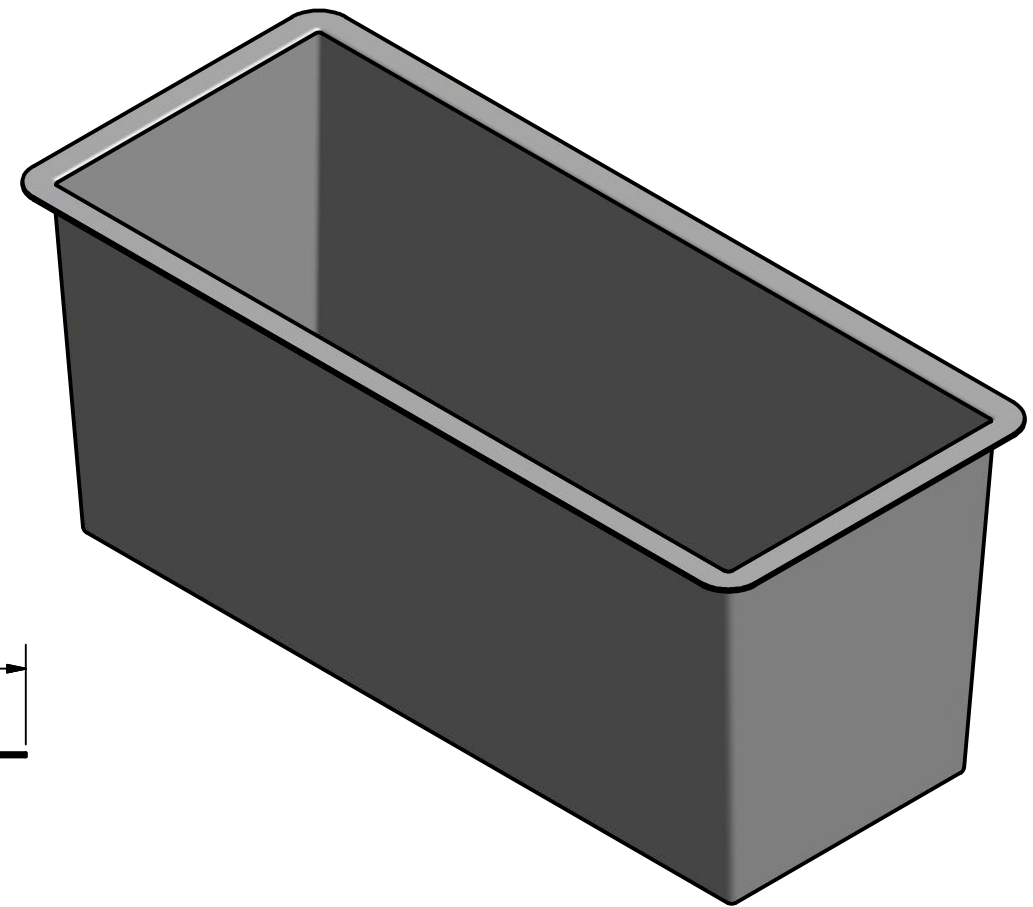
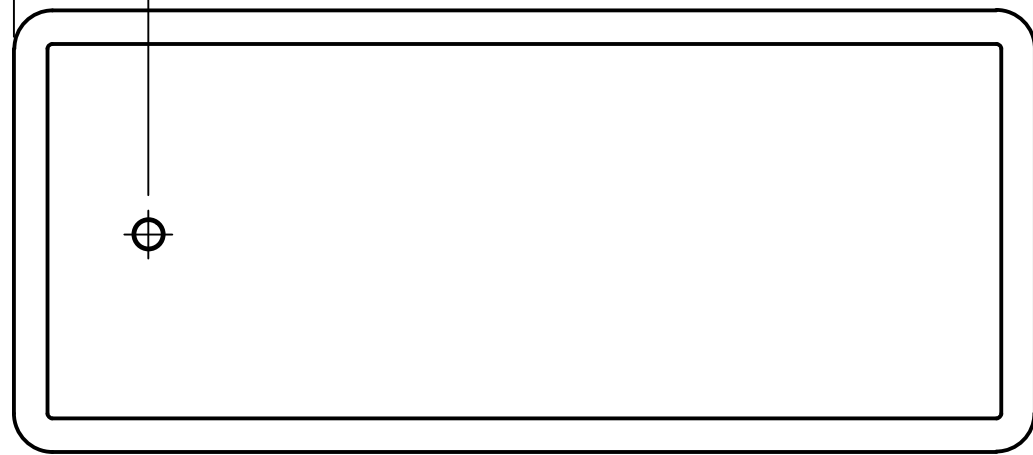


REVISION HISTORY			
REV	PART NUMBER	DESCRIPTION	DATE
00	RT 26-63 OT	PRELIMINARY ISSUE	10/07/2011



SEE NOTES



NOTES:
 MODEL: RT 26-63 OT
 CAPACITY: 1110 (L); 293 US GAL; 244 IMP GAL
 FLANGE: 3"
 DRAIN FITTING - TYPE AND POSITION
 TO BE DETERMINED BY CUSTOMER

PO #:

CUSTOMER:

 DURA-TECH INDUSTRIAL & MARINE LIMITED 206 Ross Road Dartmouth, Nova Scotia B2Z 1B4 Telephone (902) 462-8265 Fax (902) 462-8235	DRAWING TITLE:	DESIGNED BY:
	SCALE: 1/15	DRAWN BY: 
	DATE: 9/23/2011	REVIEWED BY:
	REVISIONS: 00	APPROVED BY:
DWG NO.: RT 26-63 OT	PROJECT NO.:	SHEET NO.: 1 OF 1